

# Request Form Inclined Conveyor

## Customer details

Company:	Date:
Contact person:	Customer-No.:
Factory norm:	
Type of factory standard:	

## Conveyor system and quotation data

Conveyor system:	Customer specifications
Quotation position:	Quantity:
Customer reference:	

## Material to be conveyed and environmental conditions

Material to be conveyed :	Weight per piece (kg):
Total load max. (kg):	Line load (kg/m):
Dimensions L/W/H (mm):	Enclosed drawing      Enclosed sample
Transport orientation:	Short Side Leading (transversely)      Long Side Leading (lengthways)
Temperature (°C)	Material to be conveyed:      Environment:
Environment:	clean      dirty
Type of contamination:	
Material to be conveyed:	clean      dirty
Type of contamination:	
Special features:	

# Request Form Inclined Conveyor

## Conveyor specification

Model:

Belt length L1 (mm):

Belt length L2 (mm):

Belt length L3 (mm):

Belt width (mm):

Height infeed (mm):

Height outfeed (mm):

Belt bend 1:

Belt bend 2:

Drive roller:

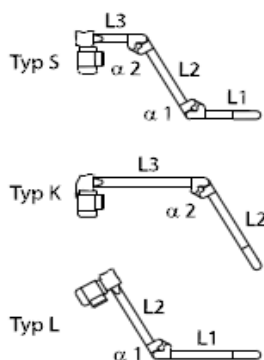
Lateral forces

yes

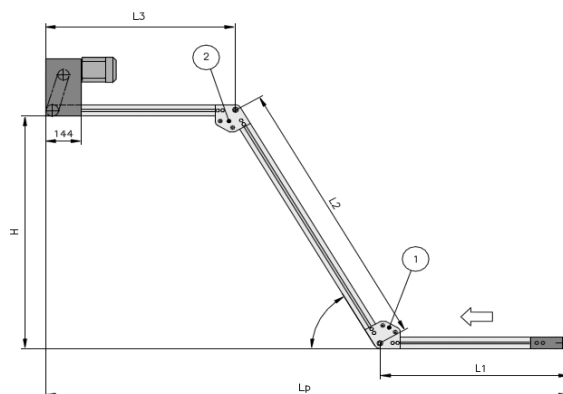
no

Customer drawings

Model key



Designations key



## Drive and motor

Drive version:

Motor position:

Output quantity:

pcs/min

Speed:

m/min at 50 Hz,

constant

adjustable

Motor orientation:

Motor manufacturer:

Operating mode:

Power transmission:

Cycling operation:

Cycles/min

Transport time (s)

Downtime (s)

Voltage:

230/400V 50 Hz

180/200V, DC

Other:

Speed control:

with support bracket

no support bracket

# Request Form Inclined Conveyor

## Conveyor medium and properties

Type:		Other type:	
good traction	accumulation	antistatic	FDA-Belt
Special features:			
Long. cleats:	Height (mm):	Spacing (mm):	
Lateral cleats:	Height (mm):	Spacing (mm):	
Sidewalls:	Height (mm):	Spacing (mm):	

## Side rails

Type of side rail:		Side rail version:	
Height:		Usable width:	
Side-rail positioning:	both sides	right side	left side

## Stands

Type of stand:
----------------

## Documentation/Drawings:

CAD format for customer	2D-DXF	DWG	3D (Step)		
Quotation drawing:	yes	no	Approval drawing	yes	no
Paper documentation:	English	pcs.	German	pcs.	Other language: <span style="float: right;">pcs.</span>
Digital documentation:	English	pcs.	German	pcs.	Other language: <span style="float: right;">pcs.</span>



# Request Form Inclined Conveyor

**Observations / functional description / additional options**



# Request Form Inclined Conveyor

## Sketch

A large grid area for sketching, consisting of a 30x30 grid of small squares. The grid is intended for drawing a technical sketch of an inclined conveyor.